

PROJECT NAME:-

STRUCTURAL DRAWING OF PROPOSED (B+G+10) ELEVAN STORIED RESIDENTIAL CUM COMMERCIAL BUILDING OF MRS. RINA GHOSH W/O MUKTIPADA GHOSH, MR. MUKTIPADA GHOSH S/O LATE RABI LOCHAN GHOSH, MRS. SHOBHA GHOSH W/O NARAYAN CHANDRA GHOSH, MRS. CHHANDA GHOSH W/O DAMODAR GHOSH, MRS. RAJKUMARI GHOSH W/O CHANDI CHARAN GHOSH, R.S PLOT NO- 21,22,232. L.R PLOT NO- 39, 52, 53, L.R. KHATIAN NO-2486,2195,2763, 2834,2835,2838,2839. J.L. NO -109 MOUZA-SHANKARPUR, P.S.-N.T.P.S, DIST-PASCHIM BARDHAMAN, WEST BENGAL.

NOTES :-

- (±) 0.00 m LEVEL REFERS TO E.G.L.
- UNLESS OTHERWISE STATED ALL CONSTRUCTION ACTIVITIES SHALL BE CARRIED OUT CONFORMING TO RELEVANT (INDIAN) STANDARD CODES OF PRACTICE.
- ALL DIMENSIONS ARE IN MILLIMETERS & LEVELS ARE IN METER. EXCEPT OTHERWISE MENTIONED ONLY WRITTEN DIMENSIONS SHALL BE FOLLOWED. ALL LEVELS GIVEN IN STRUCTURAL DRAWINGS ARE IN ACCORDANCE WITH ARCHITECTURAL DRAWINGS AND INDICATE STRUCTURAL LEVEL ONLY (WITHOUT FINISH). HOWEVER ARCHITECTURAL DRAWING TO BE COORDINATED FOR ALL LEVELS.
- ALL STRUCTURAL DRAWINGS SHALL BE READ ALONG WITH THIS DRAWING AS WELL AS RELEVANT ARCHITECTURAL DRAWINGS.
- ANY DISCREPANCY IN THE STRUCTURAL AND ARCHITECTURAL DRAWINGS SHALL BE BROUGHT TO THE NOTICE OF STRUCTURAL CONSULTANT BEFORE EXECUTION OF WORK.
- UNLESS OTHERWISE SPECIFIED ALL REINFORCEMENT TO BE USED SHALL BE TMT. BARS OF GRADE Fe-500/500 D CONFORMING TO IS-1786-2008.
- ADEQUATE CHAIR BARS TO BE PROVIDED TO KEEP THE TOP REINFORCEMENT IN PROPER POSITION.
- UNLESS OTHERWISE STATED LAP LENGTH OF BARS SHALL BE DEVELOPMENT LENGTH=50xBAR DIA.
- UNLESS OTHERWISE SPECIFIED DISTRIBUTION REINFORCEMENT SHALL BE 8 T @ 250 C/C
- CONCRETE COVER TO MAIN REINFORCEMENT SHALL BE AS FOLLOWS:-
a) Beam:-25mm, b) Column:-40mm, c) Slab:-15mm, d) Footing:-50mm, e) R.C.C Wall:-20mm, f) Stair:-20mm.
- Grade of concrete will be M30 for column and M25 for beam and sub structure as per is: 456:2000.
- Development length 50xD for lap & splices should be provided as per the provisions laid down in SP34:1987

SIGNATURE OF DEVELOPER/OWNER:-

Rina Ghosh
Rina Ghosh
Chanda Ghosh

SIGNATURE OF ARCHITECT:-

Manju Manoj Kumar
MANJU MANOJ KUMAR
ARCHITECT
CA/2022/146222
G.I.D.S, Durgapur-16

SIGNATURE OF GEO-TECHNICAL ENGINEER:-

Mukund Prasad
MUKUND PRASAD
GEO-TECHNICAL ENGINEER
Lic. No. ALP/18/2016/16
G.I.D.S, Durgapur-16

SIGNATURE OF STRUCTURAL ENGINEER:-

Himanshu Ghosh
HIMANSHU GHOSH
STRUCTURAL ENGINEER
Lic. No. L.B.S/M/183/AMC-DMCP/01165
DCE, B.TECH, G.I.D.S, Durgapur-16
Contact No. 766084197
Approved Plan No. 17 on Meeting
No. 12/2022-23, Date: 21/01/2022
Valid upto: 12/02/2025
Saptasab'Sen
Pradhan
Jemua Gram Panchayat

TITLE:-

GROUND AND FIRST FLOOR ROOF BEAM LAYOUT PLAN, TYPICAL FLOOR ROOF BEAM LAYOUT PLAN, SECTIONAL DETAILS OF CANTILEVER BEAM, TYPICAL ARRANGEMENT OF REINFORCEMENT IN BEAM.

DRAWN BY:- A BADIYAKAR

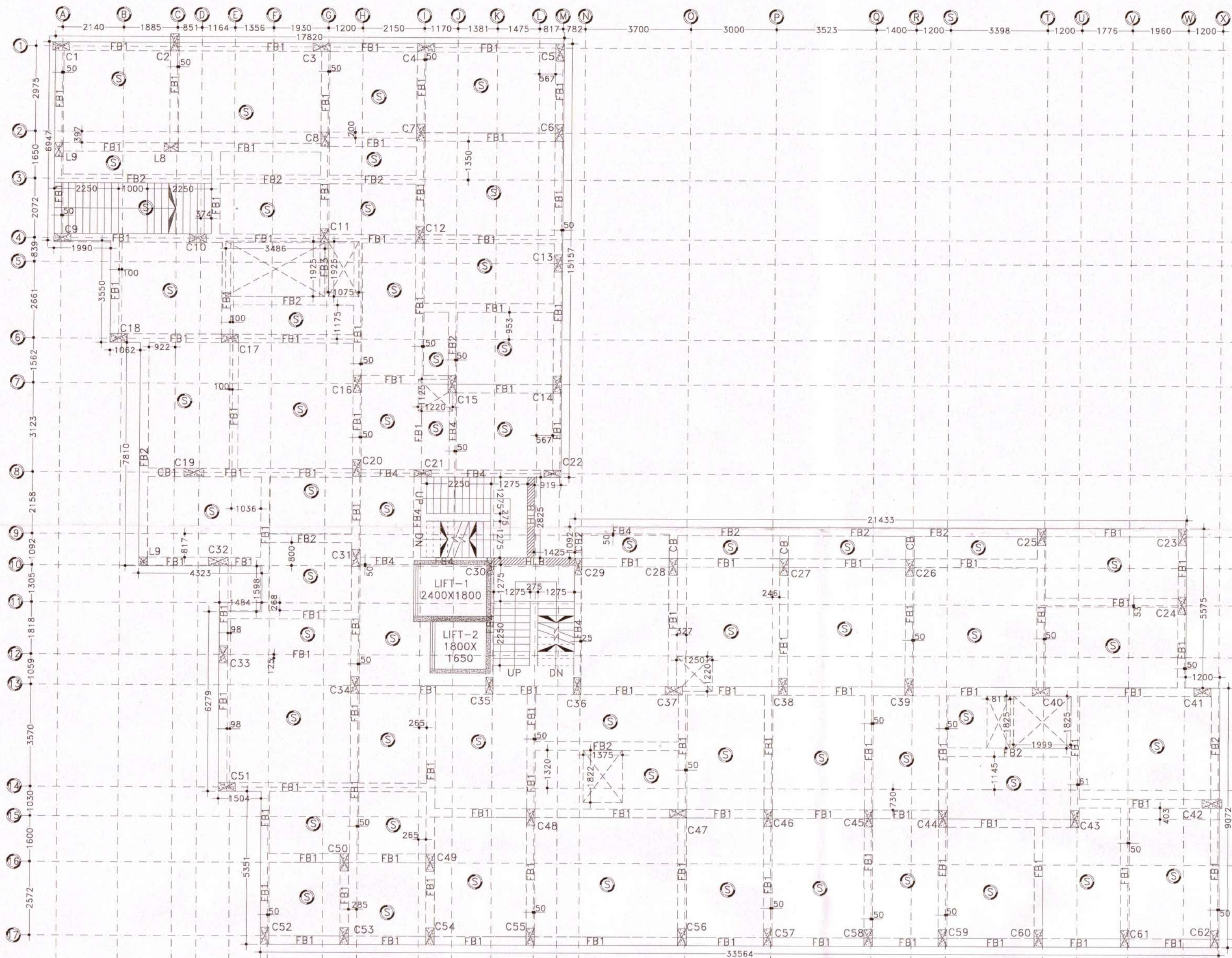
CHECKED BY:- S AKHTAR

SCALE : 1:100, N.T.S

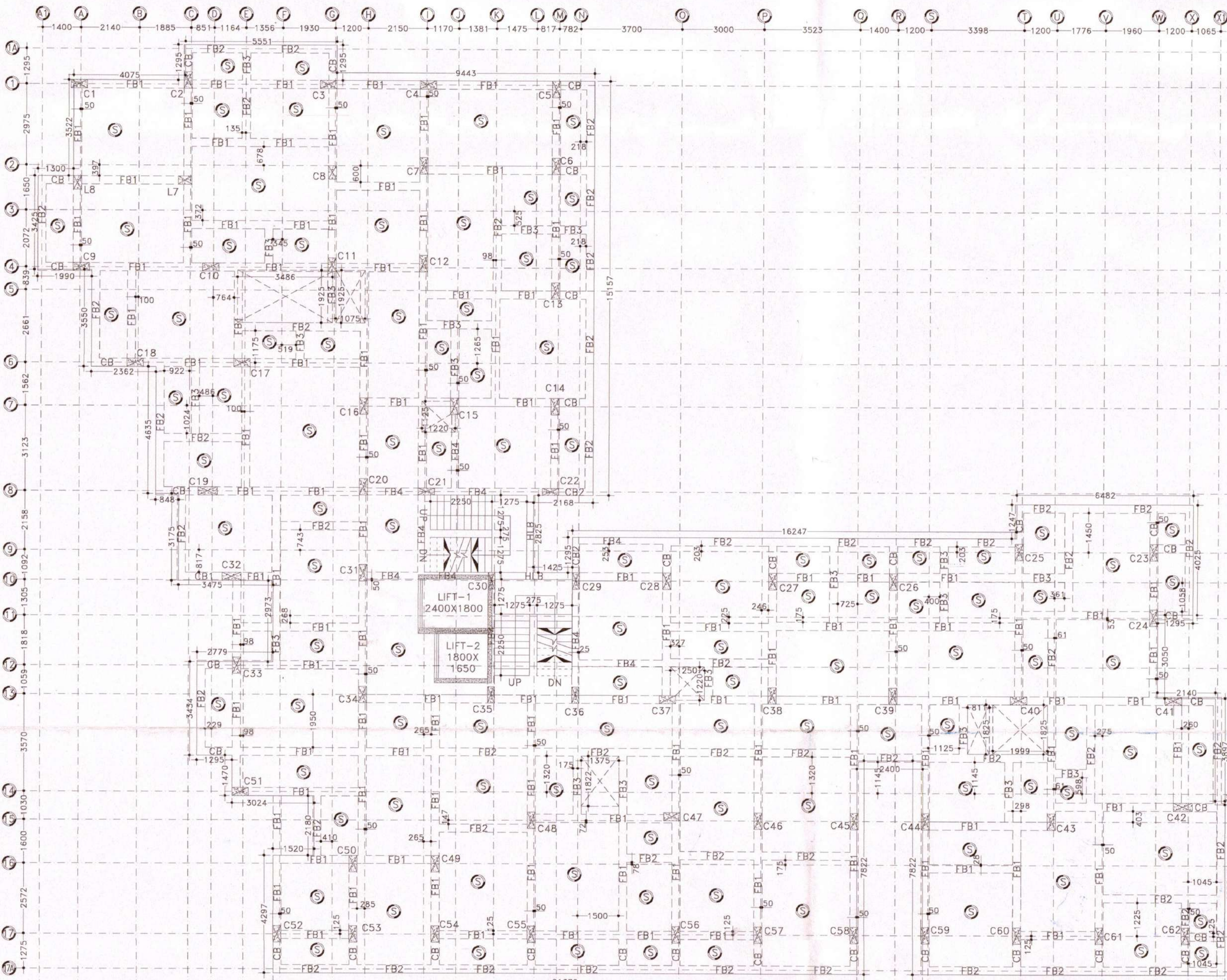
REV-00

DATE : 10.02.2023

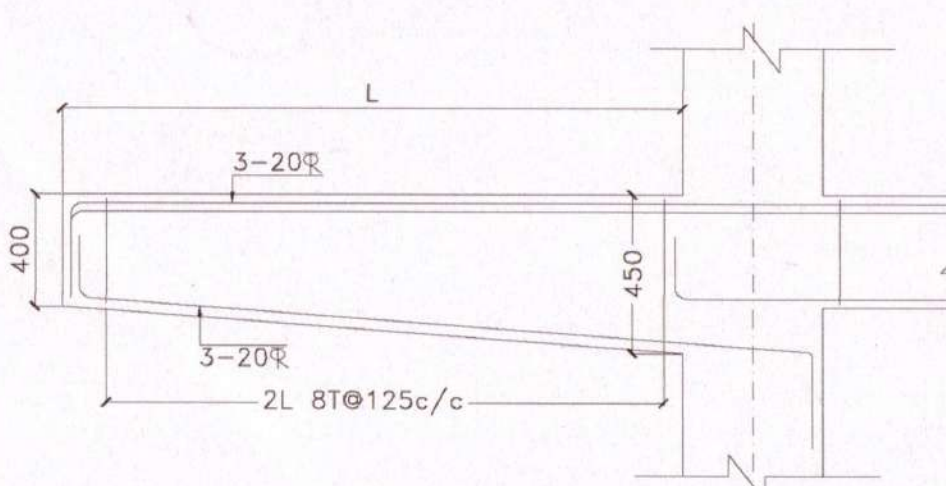
SHEET NO:- STRUCTURE-04-04



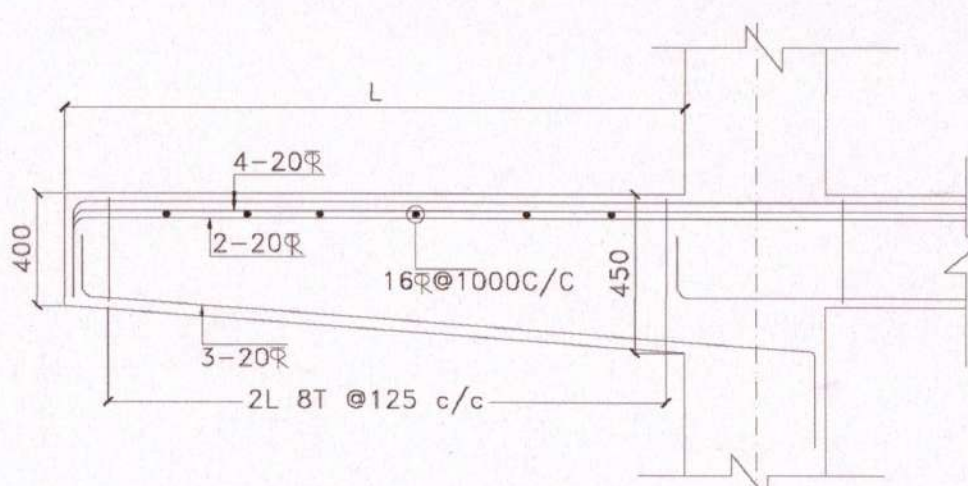
1 GROUND AND FIRST FLOOR ROOF BEAM LAYOUT PLAN
SCALE: 1:100



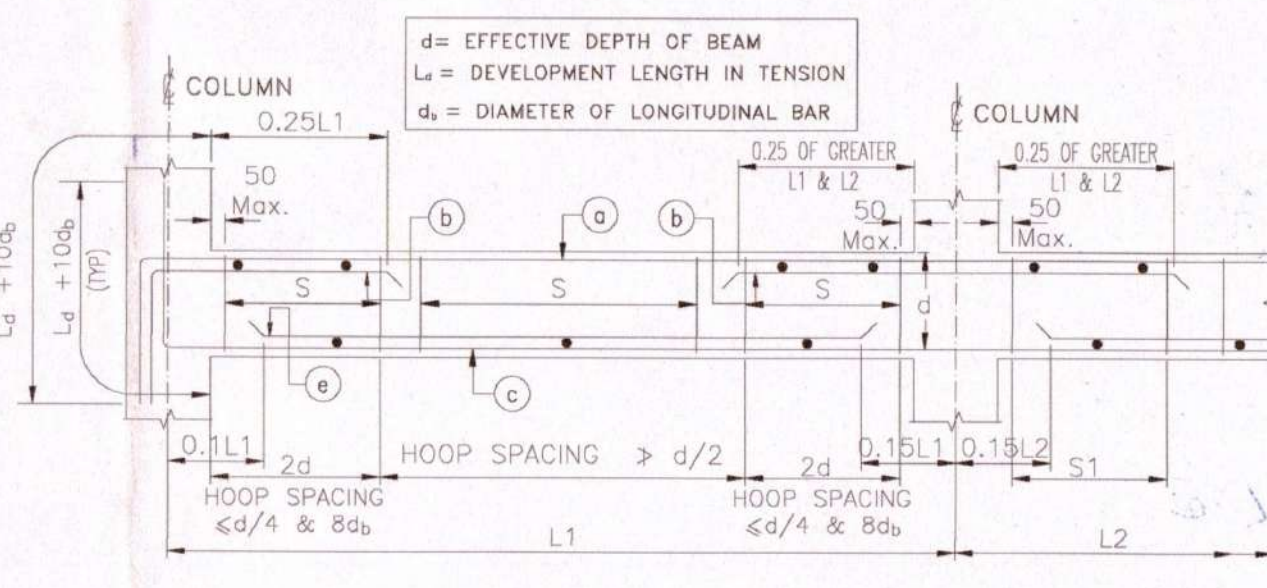
1A TYPICAL FLOOR ROOF BEAM LAYOUT PLAN
SCALE: 1:100



2A TYPICAL SECTION OF CANTILEVER BEAM (CB/CB2)
SCALE: N.T.S



2 TYPICAL SECTION OF CANTILEVER BEAM (CB1)
SCALE: N.T.S



TYPICAL ARRANGEMENT OF REINFORCEMENT IN BEAM